



Barcode: 5060452080000

strongbank™

Product code: SB1

- » The most ultra-secure range of tool storage on the market.
- » Unique external and internal anti-jimmy systems for added security.
- » Multiple reinforcements on the lid increases resistance to break-ins.



Product features



2x 5-lever
deadlock



Gas strut (300N)



No detachable
parts



Lid safety stay

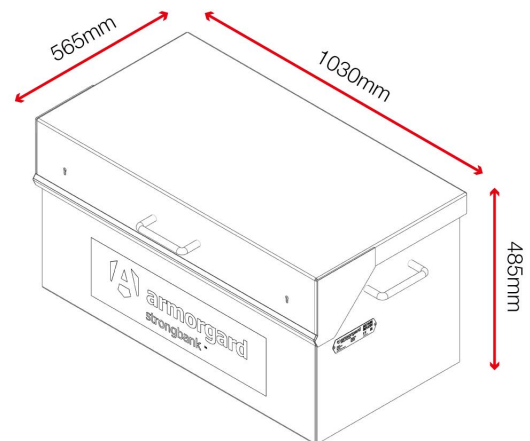


Suitable for
vehicles

Product specifications

Weight	59kg
Colour	Jet black: RAL 9005
Suitable for	Vehicle
Finished coating	Powder coated
Material & thickness	3mm and 5mm steel
Quantity of keys	3 keys
Suitable for vehicle mounting	Yes
How are castors fitted?	Requires welding on or holes to be drilled for bolting
Other sizes available	3 other sizes
Qty of shelves as standard	No

Dimensions



Optional extras - Contact Armorgard to find out more



Castor kit 80mm CAS80-SS-SB

